

Peak Emission Wavelength: 600nm

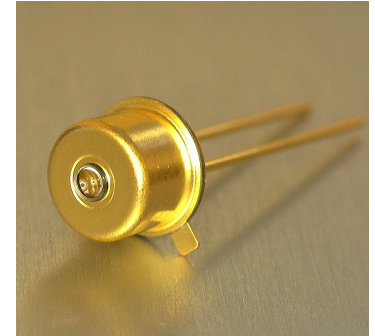
The MTE5901SL-WRC visible emitter is designed for applications requiring high output power. Custom package solutions and sorting are available.

FEATURES

- > TO-18 Metal Can Package
- > High Output
- > High Reliability
- > Wide Beam Angle

APPLICATIONS

- > Industrial Equipment
- > Medical
- > Machine Vision
- > Currency Validation



Absolute Maximum Ratings (Ta=25°C)



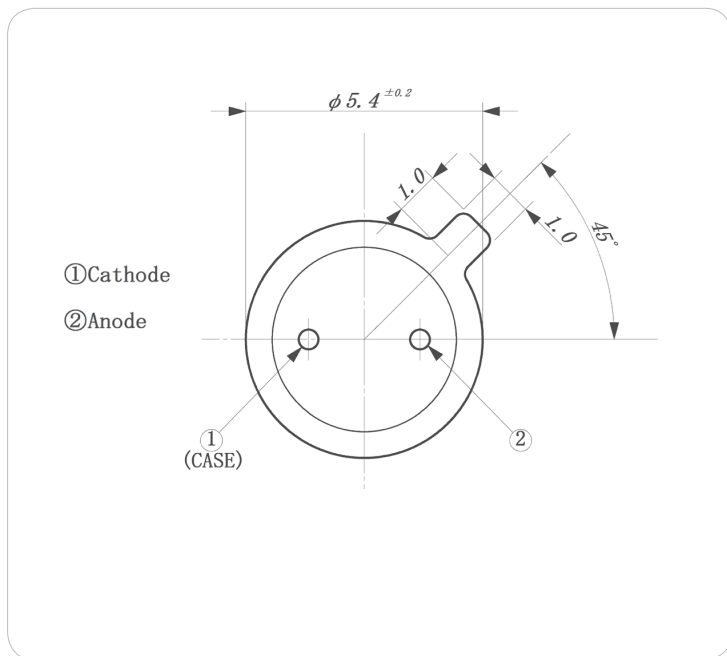
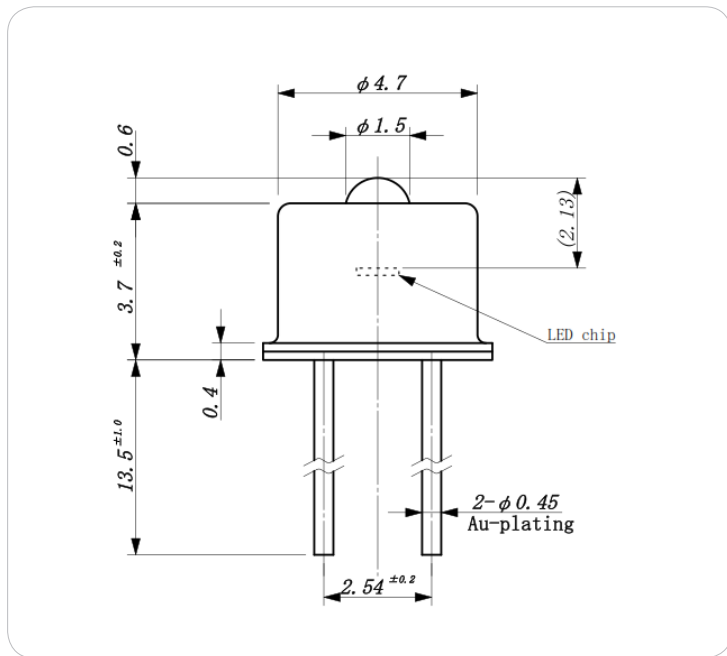
ITEMS	SYMBOL	RATINGS	UNIT
Forward Current (DC)	IF	100	mA
Forward Current (Pulse) *1	IFP	1	A
Reverse Voltage	VR	5	V
Power Dissipation	PD	300	mW
Operating Temperature Range	Topr	-20 ~ +80	°C
Storage Temperature	Tstg	-30 ~ +100	°C
Lead Soldering Temperature *2	Tls	260	°C

*1: Tw=10usec, T=10msec; *2: Time 5 Sec max, Position: Up to 3mm from the body

Electrical & Optical Characteristics (Ta = 25°C)

ITEMS	SYMBOL	CONDITIONS	MIN	TYP	MAX	UNIT
Power Output	PO	IF=20mA	--	2.24	--	mW
Forward Voltage	VF	IF=20mA	--	2.75	--	V
Reverse Current	IR	VR=5V	--	--	10	μA
Peak Emission Wavelength	λp	IF=20mA	--	600	--	nm
Dominant Emission Wavelength	λd	IF=20mA	--	590	--	nm
Spectral Line Half Width	Δλ	IF=20mA	--	85	--	nm
Half Intensity Beam Angle	Θ	IF=20mA	--	±15	--	deg

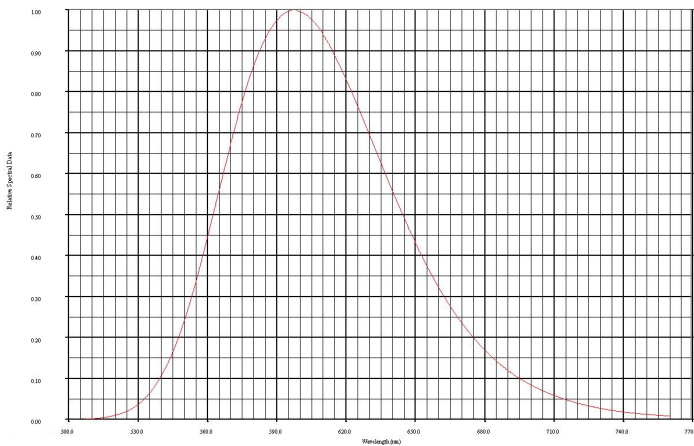
Package Dimensions



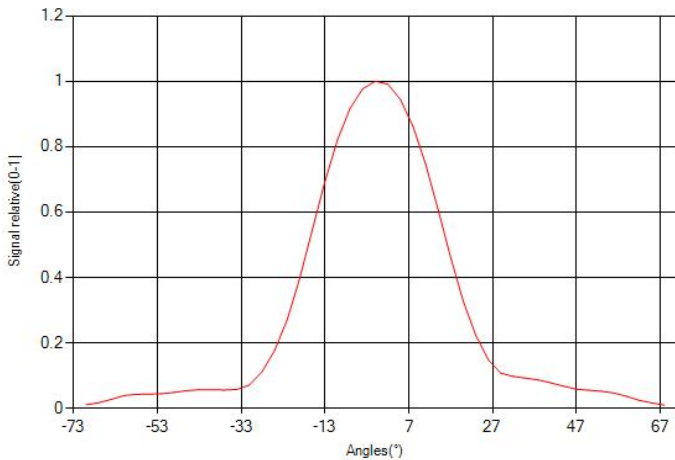
Unit: mm, Tolerance: ±0.2

Characteristic Curves (Ta = 25°C)

Spectral Responsivity



Radiation Distribution



View Angle

